

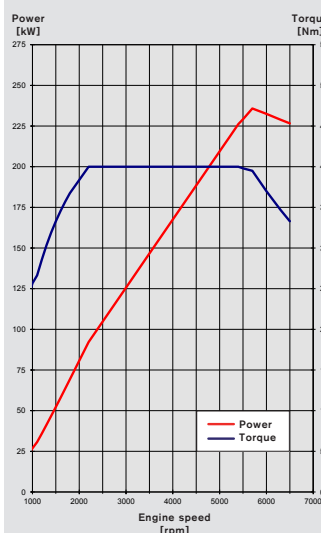
ENGINES

Type
Configuration
Displacement, cm ³
Bore (mm)
Stroke (mm)
Engine cylinder block material
Cylinderhead material
Compression ratio
Valves, no/cylinder
Camshafts
Engine management system
Ignition sequence
Engine idling speed, rpm
Fuel, rec. octane
Max output, kW (hp)/rpm
Max torque, Nm/rpm

POWER AND TORQUE →

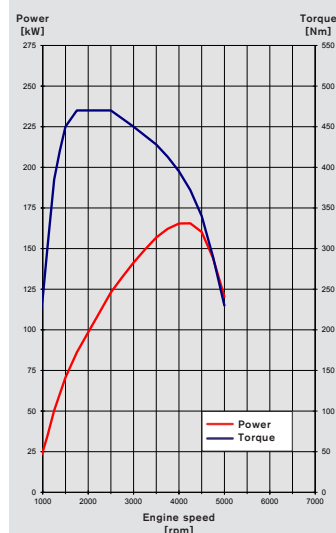
Manual gearbox/final drive
Automatic gearbox/final drive
PERFORMANCE
Gearbox
Acceleration, 0–100 km/h (sec)
Top speed, km/h
Fuel consumption l/100 km (Combined)
CO ₂ g/km

T6 AWD (B4204T27)
In-line 4-cyl. supercharged and turbocharged
Transverse, all wheel drive
1969
82.0
93.2
Aluminium
Aluminium
10.8:1
4
2
Integrated fuel (SFI)/ignition control systems
1 - 3 - 4 - 2
825
91–98 RON
236 (320)/5700
400/2200–4500



-	
AW TG-81SC	3.329
Automatic	
6.9	
230	
7.7	
179	

D5 AWD (D4204T11)
In-line 4-cyl. turbo diesel
Transverse, all wheel drive
1969
82.0
93.2
Aluminium
Aluminium
15.8:1
4
2
Electronically controlled common rail direct injection
1 - 3 - 4 - 2
825
Diesel fuel according to EN590*
165 (225)/4250
470/1750–2500



-	
AW TG-81SC	3.075
Automatic	
7.8	
220	
5.8	
152	

* Maximum biodiesel (RME) content 7%

TRANSMISSIONS

8-speed automatic gearbox.

RATIO	AW TG-81SC
First	5.250
Second	3.029
Third	1.950
Fourth	1.457
Fifth	1.221
Sixth	1.000
Seventh	0.809
Eighth	0.673
Reverse	4.015

MEASUREMENTS AND VOLUMES

EXTERIOR MEASUREMENTS (CM)

Length	495.0
Width (incl mirrors outer edge)	214.0
Height	177.5
Wheelbase	298.4
Overhang (front/rear)	88.7/107.9
Track, front, (Offset 38,5/42,5)	166.9/167.7
Track, rear, (Offset 38,5/42,5)	167.1/167.9
Ground clearance (Standard chassie/Offroad mode)	23.7/26.7

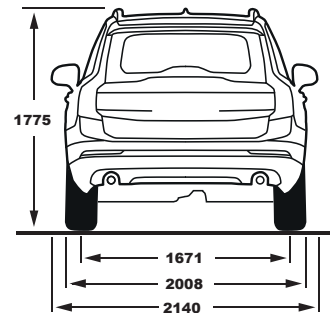
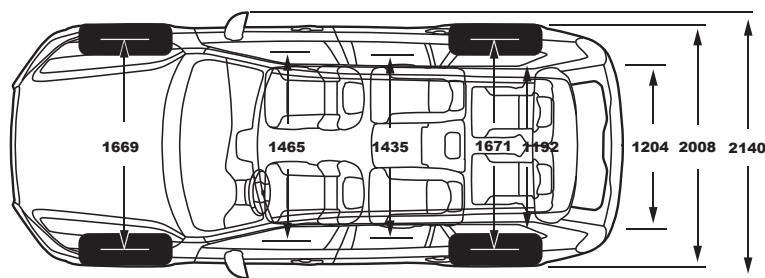
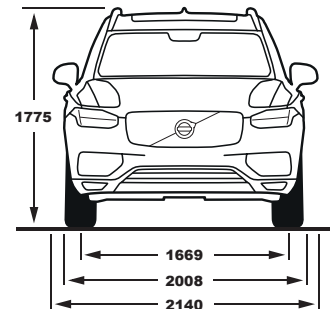
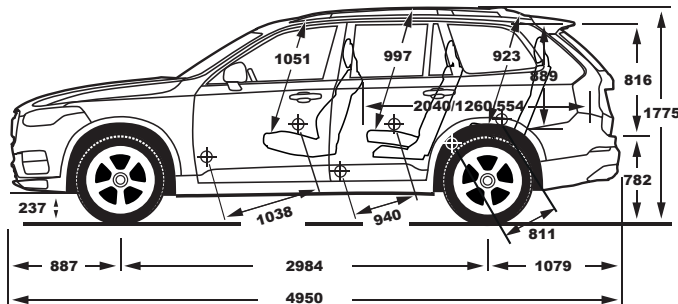
WEIGHTS/MISCELLANEOUS

Weight, kg (Running order, min-max, depending on setup)	1940-2030
Fuel tank, l	71
Max. trailer weight, kg	2700**
Max roof load, kg	100
Drag coefficient, Cd	0.30

** *Towing kit*

INTERIOR MEASUREMENTS (CM)

Headroom without panorama roof (front/rear/third row)	99.8/99.7/92.3
Headroom with panorama roof (front/rear/third row)	98.7/97.9/92.3
Headroom maximum, without panorama roof (front)	105.1
Headroom maximum, with panorama roof (front)	103.3
Passenger comp width at shoulder height (front/rear/third row)	146.5/143.5/119.2
Leg room (front/rear/third row)	103.8/94.0/81.1
Cargo volume, including under floor storage (ISO V214-1)(litres)	1899
Cargo length from the first seatback to the tailgate measured at: - the height of the floor covering	204.0
Cargo length from the second seatback to the tailgate measured at: - the height of the floor covering	126.0
Cargo height (rear wheel center and car center line)	88.9
Rear opening height (car center line)	81.6
Width of luggage compartment between wheelhouses	113.0



CHASSIS

Suspension	front	Double Wishbone Suspension, Coil Springs, Hydraulic Shock Absorbers, Stabilizer Bar. Optional Air Suspension
	rear	Integral Axle with Transverse Composite Leaf Spring, Hydraulic Shock Absorbers, Stabilizer Bar. Optional Air Suspension
Steering		Power Assisted Rack and Pinion Steering
Turning circle, (curb to curb)		11.9 m/12.1 m (Tire 235 / 275)
Braking system		Antilock Braking System (ABS) with Electronic Brake Distribution (EBD) and Electronic Brake Assistance (EBA)
Braking distance, 100-0 km/h		36 m
Brake disc diameter	front	345 mm
	rear	320 mm